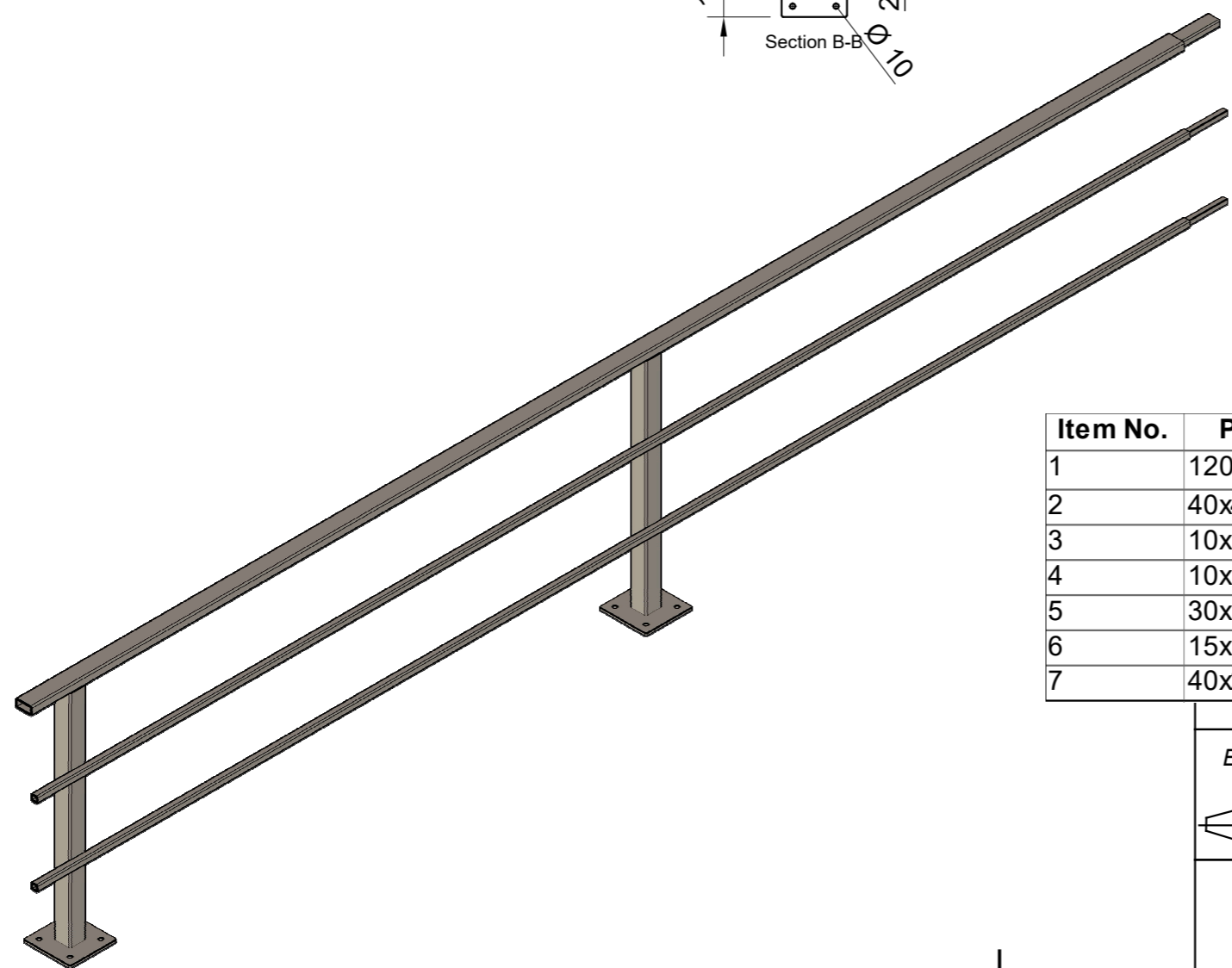
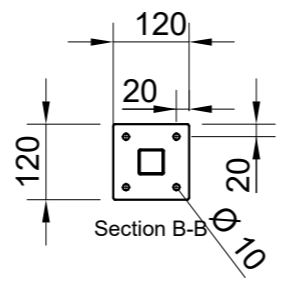
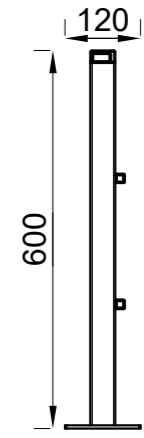
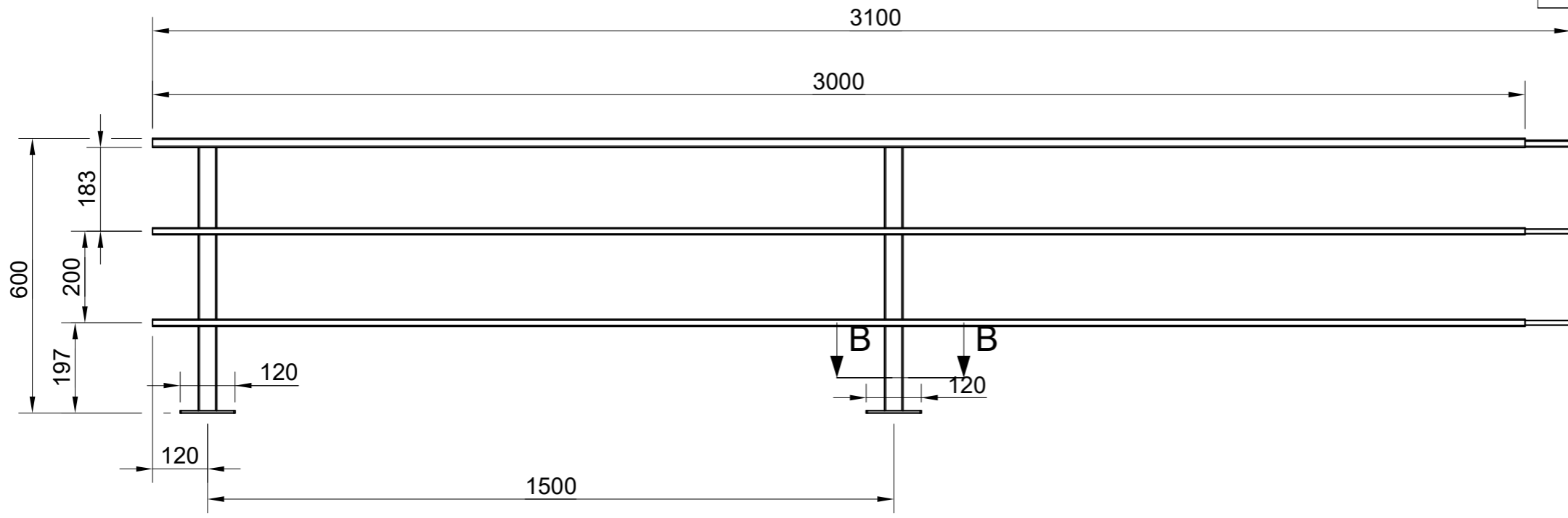


REVISION HISTORY				
ZONE	REV	DESCRIPTION	DATE	APPROVED



Item No.	Part Number	Qty	SizeboxHeig	EndTaper	Material	StartTaper
1	120x120x5	2	5	0	flancis	0
2	40x40x2	2	575	0	prof.caur	0
3	10x10	1	200	0	stienis	0
4	10x10	1	200	0	stienis	0
5	30x15x1,5	1	250	0	prof.caur	0
6	15x15x1,5	2	3000	0	prof.caur	0
7	40x20x2	1	3000	0	prof.caur	0

	<b>A3</b>	General Tolerances acc to :	<b>M4387</b>		
	Scale x:x	ISO 2768-1 medium	Drawn <b>Raitis G</b>	Checked <b>Checked</b>	Dat. <b>Dat</b>
<b>Lat Met</b>			Title <b>Assembly1</b>		Sheet 2 of 2 Rev.
					Doc.Nr <b>1000 0000 0000</b>